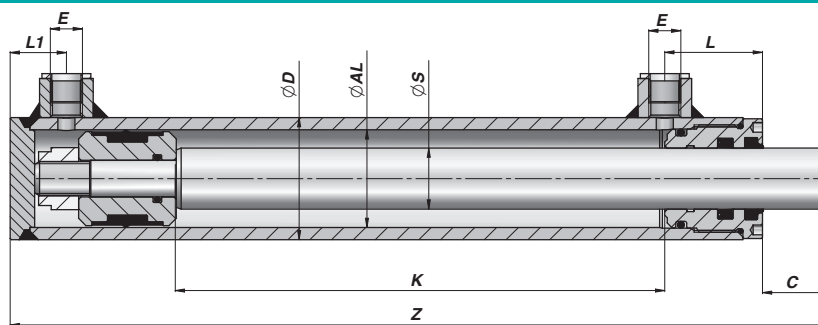
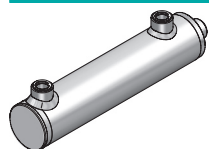


SCONTO

RISERVATO

SU PREZZI

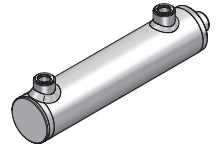
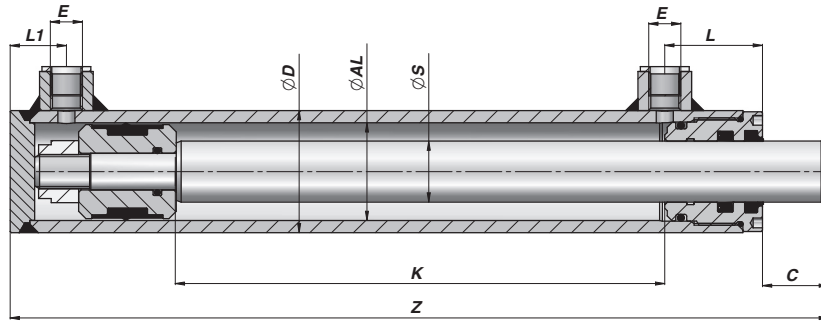
DI LISTINO 28%



M250

| Codice Code Bestell-Nr. | K | Z | kg | E BSP | L | L1 | C | Codice Code Bestell-Nr. | K | Z | kg |
|---------------------------|------|------|-------|------------|-----|-----|---------------------------|---------------------------|------|------|-------|
| ØD 35 ØAL 25 ØS 16 | | | | | | | | | | | |
| HM0025160050 | 50 | 135 | 0,70 | 1/4" | 33 | 15 | 17 | | | | |
| HM0025160100 | 100 | 185 | 0,95 | | | | | | | | |
| HM0025160150 | 150 | 235 | 1,25 | | | | | | | | |
| HM0025160200 | 200 | 285 | 1,50 | | | | | | | | |
| ØD 42 ØAL 32 ØS 20 | | | | | | | | | | | |
| HM0032200050 | 50 | 155 | 1,30 | 1/4" | 33 | 20 | 16 | | | | |
| HM0032200100 | 100 | 205 | 1,60 | | | | | | | | |
| HM0032200150 | 150 | 255 | 1,95 | | | | | | | | |
| HM0032200200 | 200 | 305 | 2,30 | | | | | | | | |
| HM0032200250 | 250 | 355 | 2,70 | | | | | | | | |
| HM0032200300 | 300 | 405 | 3,00 | | | | | | | | |
| HM0032200400 | 400 | 505 | 3,70 | | | | | | | | |
| HM0032200500 | 500 | 605 | 4,40 | | | | | | | | |
| ØD 50 ØAL 40 ØS 20 | | | | | | | ØD 50 ØAL 40 ØS 25 | | | | |
| HM01200100 | 100 | 230 | 2,27 | 1/4" | 40 | 23 | 22 | HM01250100 | 100 | 230 | 2,50 |
| HM01200150 | 150 | 280 | 2,67 | | | | | HM01250150 | 150 | 280 | 2,95 |
| HM01200200 | 200 | 330 | 3,05 | | | | | HM01250200 | 200 | 330 | 3,39 |
| HM01200250 | 250 | 380 | 3,45 | | | | | HM01250250 | 250 | 380 | 3,85 |
| HM01200300 | 300 | 430 | 3,85 | | | | | HM01250300 | 300 | 430 | 4,32 |
| HM01200350 | 350 | 480 | 4,27 | | | | | HM01250350 | 350 | 480 | 4,79 |
| HM01200400 | 400 | 530 | 4,65 | | | | | HM01250400 | 400 | 530 | 5,26 |
| HM01200450 | 450 | 580 | 5,08 | | | | | HM01250450 | 450 | 580 | 5,72 |
| HM01200500 | 500 | 630 | 5,49 | | | | | HM01250500 | 500 | 630 | 6,20 |
| | | | | | | | | HM01250550 | 550 | 680 | 6,60 |
| | | | | HM01250600 | 600 | 730 | 7,13 | | | | |
| ØD 60 ØAL 50 ØS 25 | | | | | | | ØD 60 ØAL 50 ØS 30 | | | | |
| HM02250100 | 100 | 240 | 3,29 | 3/8" | 43 | 26 | 22 | HM02300150 | 150 | 290 | 4,11 |
| HM02250150 | 150 | 290 | 3,83 | | | | | HM02300200 | 200 | 340 | 4,74 |
| HM02250200 | 200 | 340 | 4,34 | | | | | HM02300250 | 250 | 390 | 5,35 |
| HM02250250 | 250 | 390 | 4,85 | | | | | HM02300300 | 300 | 440 | 5,97 |
| HM02250300 | 300 | 440 | 5,35 | | | | | HM02300350 | 350 | 490 | 6,55 |
| HM02250350 | 350 | 490 | 5,94 | | | | | HM02300400 | 400 | 540 | 7,20 |
| HM02250400 | 400 | 540 | 6,40 | | | | | HM02300450 | 450 | 590 | 7,80 |
| HM02250450 | 450 | 590 | 7,30 | | | | | HM02300500 | 500 | 640 | 8,42 |
| HM02250500 | 500 | 640 | 7,43 | | | | | HM02300550 | 550 | 690 | 9,04 |
| HM02250550 | 550 | 690 | 8,06 | | | | | HM02300600 | 600 | 740 | 9,64 |
| HM02250600 | 600 | 740 | 8,46 | | | | | HM02300700 | 700 | 840 | 10,85 |
| HM02250800 | 800 | 940 | 10,71 | | | | | HM02300800 | 800 | 940 | 12,10 |
| HM02251000 | 1000 | 1140 | 12,87 | | | | | HM02301000 | 1000 | 1140 | 14,57 |
| ØD 70 ØAL 60 ØS 30 | | | | | | | | ØD 70 ØAL 60 ØS 35 | | | |
| HM03300100 | 100 | 260 | 4,82 | 3/8" | 50 | 30 | 23 | HM03350100 | 100 | 260 | 5,07 |
| HM03300150 | 150 | 310 | 5,55 | | | | | HM03350150 | 150 | 310 | 5,85 |
| HM03300200 | 200 | 360 | 6,20 | | | | | HM03350200 | 200 | 360 | 6,60 |
| HM03300250 | 250 | 410 | 6,87 | | | | | HM03350250 | 250 | 410 | 7,40 |
| HM03300300 | 300 | 460 | 7,55 | | | | | HM03350300 | 300 | 460 | 8,15 |
| HM03300350 | 350 | 510 | 8,20 | | | | | HM03350350 | 350 | 510 | 8,94 |
| HM03300400 | 400 | 560 | 8,90 | | | | | HM03350400 | 400 | 560 | 9,72 |
| HM03300450 | 450 | 610 | 9,53 | | | | | HM03350450 | 450 | 610 | 10,47 |
| HM03300500 | 500 | 660 | 10,25 | | | | | HM03350500 | 500 | 660 | 11,25 |
| HM03300550 | 550 | 710 | 10,86 | | | | | HM03350550 | 550 | 710 | 12,00 |
| HM03300600 | 600 | 760 | 11,60 | | | | | HM03350600 | 600 | 760 | 12,81 |
| HM03300800 | 800 | 960 | 14,26 | | | | | HM03350800 | 800 | 960 | 15,87 |
| HM03301000 | 1000 | 1160 | 17,00 | | | | | HM03351000 | 1000 | 1160 | 18,93 |

M250



| Codice Code Bestell-Nr. | K | Z | kg | E BSP | L | L1 | C | Codice Code Bestell-Nr. | K | Z | kg | | | | |
|-----------------------------|------|------|-------|--------------|------|------|-------|-----------------------------|------|------|-------|--|--|--|--|
| ØD 70 ØAL 60 ØS 40 | | | | | | | | ØD 73 ØAL 63 ØS 40 | | | | | | | |
| HM03400200 | 200 | 360 | 7,25 | 3/8" | 50 | 30 | 23 | HM0063400200 | 200 | 360 | 7,60 | | | | |
| HM03400250 | 250 | 410 | 8,14 | | | | | HM0063400250 | 250 | 410 | 8,50 | | | | |
| HM03400300 | 300 | 460 | 9,03 | | | | | HM0063400300 | 300 | 460 | 9,40 | | | | |
| HM03400350 | 350 | 510 | 9,90 | | | | | HM0063400350 | 350 | 510 | 10,30 | | | | |
| HM03400400 | 400 | 560 | 10,79 | | | | | HM0063400400 | 400 | 560 | 11,20 | | | | |
| HM03400450 | 450 | 610 | 11,64 | | | | | HM0063400450 | 450 | 610 | 12,10 | | | | |
| HM03400500 | 500 | 660 | 12,52 | | | | | HM0063400500 | 500 | 660 | 13,00 | | | | |
| HM03400550 | 550 | 710 | 13,45 | | | | | HM0063400550 | 550 | 710 | 13,90 | | | | |
| HM03400600 | 600 | 760 | 14,30 | | | | | HM0063400600 | 600 | 760 | 14,80 | | | | |
| HM03400800 | 800 | 960 | 17,82 | | | | | HM0063400800 | 800 | 960 | 18,50 | | | | |
| HM03401000 | 1000 | 1160 | 21,40 | HM0063401000 | 1000 | 1160 | 22,10 | | | | | | | | |
| ØD 80 ØAL 70 ØS 35 | | | | | | | | ØD 80 ØAL 70 ØS 40 | | | | | | | |
| HM04350100 | 100 | 260 | 6,09 | 3/8" | 50 | 33 | 23 | | | | | | | | |
| HM04350150 | 150 | 310 | 6,95 | | | | | | | | | | | | |
| HM04350200 | 200 | 360 | 7,74 | | | | | HM04400200 | 200 | 360 | 8,28 | | | | |
| HM04350250 | 250 | 410 | 8,60 | | | | | HM04400250 | 250 | 410 | 9,26 | | | | |
| HM04350300 | 300 | 460 | 9,40 | | | | | HM04400300 | 300 | 460 | 10,24 | | | | |
| HM04350350 | 350 | 510 | 10,26 | | | | | HM04400350 | 350 | 510 | 11,20 | | | | |
| HM04350400 | 400 | 560 | 11,00 | | | | | HM04400400 | 400 | 560 | 12,80 | | | | |
| HM04350450 | 450 | 610 | 11,88 | | | | | HM04400450 | 450 | 610 | 13,11 | | | | |
| HM04350500 | 500 | 660 | 12,60 | | | | | HM04400500 | 500 | 660 | 14,01 | | | | |
| HM04350550 | 550 | 710 | 13,66 | | | | | HM04400550 | 550 | 710 | 15,10 | | | | |
| HM04350600 | 600 | 760 | 14,20 | HM04400600 | 600 | 760 | 15,99 | | | | | | | | |
| HM04350800 | 800 | 960 | 17,56 | HM04400800 | 800 | 960 | 19,73 | | | | | | | | |
| HM04351000 | 1000 | 1160 | 21,26 | HM04401000 | 1000 | 1160 | 23,51 | | | | | | | | |
| ØD 92 ØAL 80 ØS 40 | | | | | | | | ØD 92 ØAL 80 ØS 50 | | | | | | | |
| HM05400200 | 200 | 380 | 11,08 | 1/2" | 60 | 35 | 25 | HM05500200 | 200 | 380 | 12,35 | | | | |
| HM05400250 | 250 | 430 | 12,22 | | | | | HM05500250 | 250 | 430 | 13,73 | | | | |
| HM05400300 | 300 | 480 | 13,35 | | | | | HM05500300 | 300 | 480 | 15,15 | | | | |
| HM05400400 | 400 | 580 | 15,56 | | | | | HM05500400 | 400 | 580 | 17,95 | | | | |
| HM05400500 | 500 | 680 | 17,77 | | | | | HM05500500 | 500 | 680 | 20,71 | | | | |
| HM05400600 | 600 | 780 | 19,98 | | | | | HM05500600 | 600 | 780 | 24,00 | | | | |
| HM05400800 | 800 | 980 | 24,50 | | | | | HM05500800 | 800 | 980 | 29,50 | | | | |
| HM05401000 | 1000 | 1180 | 28,92 | | | | | HM05501000 | 1000 | 1180 | 35,00 | | | | |
| ØD 105 ØAL 90 ØS 50 | | | | | | | | | | | | | | | |
| NEW! HM0090500300 | 300 | 486 | 19,30 | | | | | 1/2" | 60 | 40 | 23 | | | | |
| NEW! HM0090500400 | 400 | 586 | 22,64 | | | | | | | | | | | | |
| NEW! HM0090500500 | 500 | 686 | 25,97 | | | | | | | | | | | | |
| NEW! HM0090500600 | 600 | 786 | 29,30 | | | | | | | | | | | | |
| NEW! HM0090500800 | 800 | 986 | 35,97 | | | | | | | | | | | | |
| NEW! HM0090501000 | 1000 | 1186 | 42,64 | | | | | | | | | | | | |
| ØD 115 ØAL 100 ØS 50 | | | | | | | | ØD 115 ØAL 100 ØS 60 | | | | | | | |
| HM06500200 | 200 | 410 | 19,50 | 1/2" | 82 | 38 | 25 | | | | | | | | |
| HM06500250 | 250 | 460 | 21,50 | | | | | | | | | | | | |
| HM06500300 | 300 | 510 | 23,00 | | | | | HM06600300 | 300 | 510 | 25,50 | | | | |
| HM06500400 | 400 | 610 | 26,50 | | | | | HM06600400 | 400 | 610 | 29,50 | | | | |
| HM06500500 | 500 | 710 | 30,00 | | | | | HM06600500 | 500 | 710 | 33,50 | | | | |
| HM06500600 | 600 | 810 | 33,50 | | | | | HM06600600 | 600 | 810 | 37,50 | | | | |
| HM06500800 | 800 | 1010 | 40,50 | | | | | HM06600800 | 800 | 1010 | 46,00 | | | | |
| HM06501000 | 1000 | 1210 | 47,50 | | | | | HM06601000 | 1000 | 1210 | 54,50 | | | | |

MATERIALE - MATERIAL:

TUBO - TUBE - ROHR: ACCIAIO - STEEL - STAHL St 52.3 DIN 2393 ISO H9

STELO - ROD - KOLBENSTANGE:

ACCIAIO - STEEL - STAHL UNI C45 SAE 1045 - CROMO - CHROME - CHROM: 25 MICRON ±5 Rating 9/120 h ISO 10289 - 1999/ISO 9227-NSS

